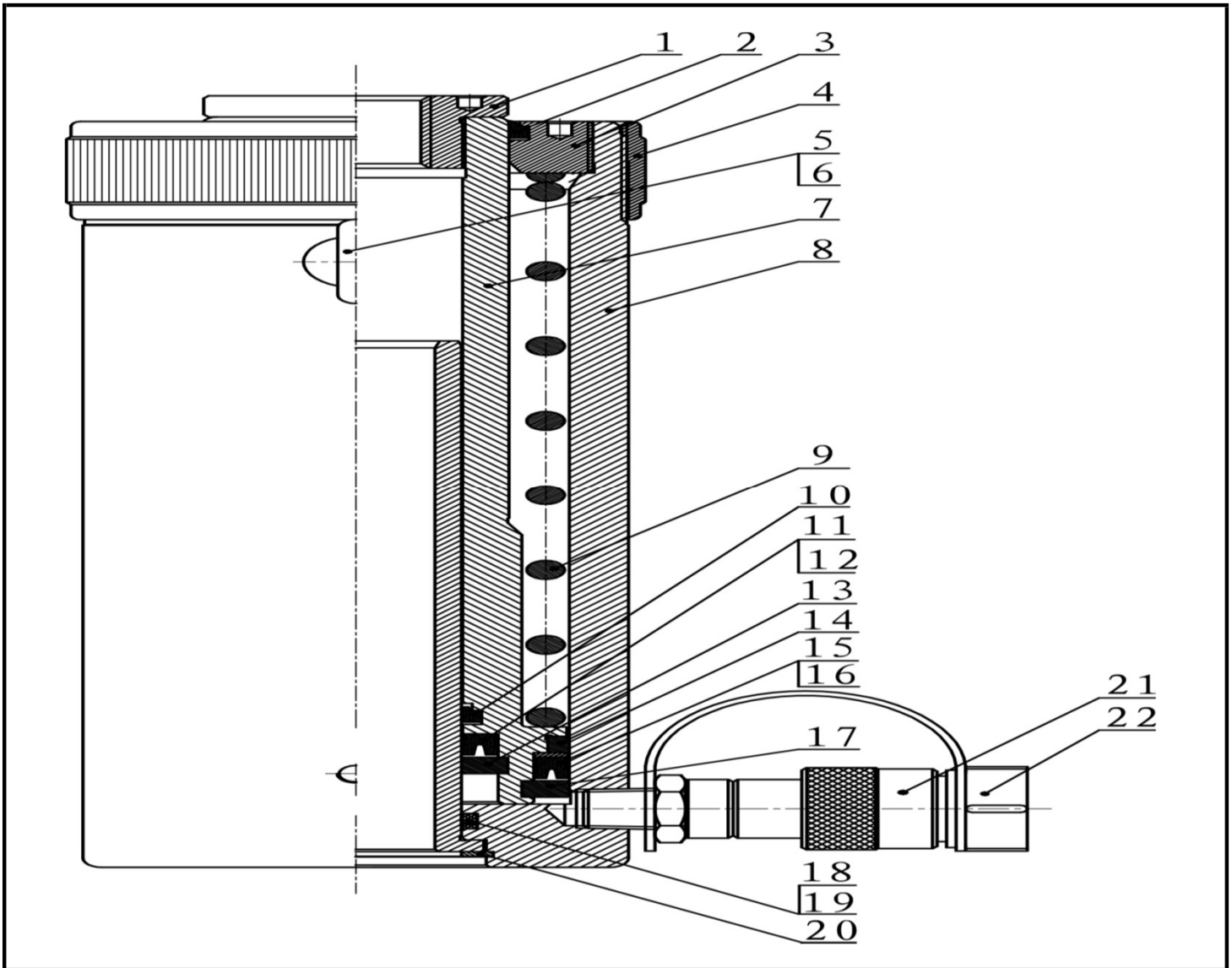


Single-Acting Hollow Cylinders - SHC

Doc. : L1063A Date : 2019/01



Item NO.	Description	Qty	Part NO.
			SHC300-64
1	Lifting head	1	2.001.02127
2	J-dustband	1	●
3	Guide cap	1	2.001.02137
4	Thread protector	1	2.001.02134
5	Lifting bolt (Item #6 included)	2	1.3.009.00004
6	Hexagon nut	2	-
7	Piston rod	1	2.001.01615
8	Oil cylinder	1	2.001.01616
9	Returning spring	1	1.3.011.00041
10	J-dustband	1	●
11	/	/	/
12	U- ring	1	●
13	Back the inner guide sleeve	1	2.001.02133
14	/	/	/
15	/	/	/
17	Back the guide sleeve	/	/
16	U- ring	1	●
18	Backup Washer	1	●
19	O - ring	1	●
20	Centre hole	1	2.001.02138
21	Circlips for holes	1	●
22	Female connector	1	1.3.025.00004
23	Connector protective jacket for NPT3/8"	1	1.3.097.00002
●	Repair kit	1	SHC300-RK