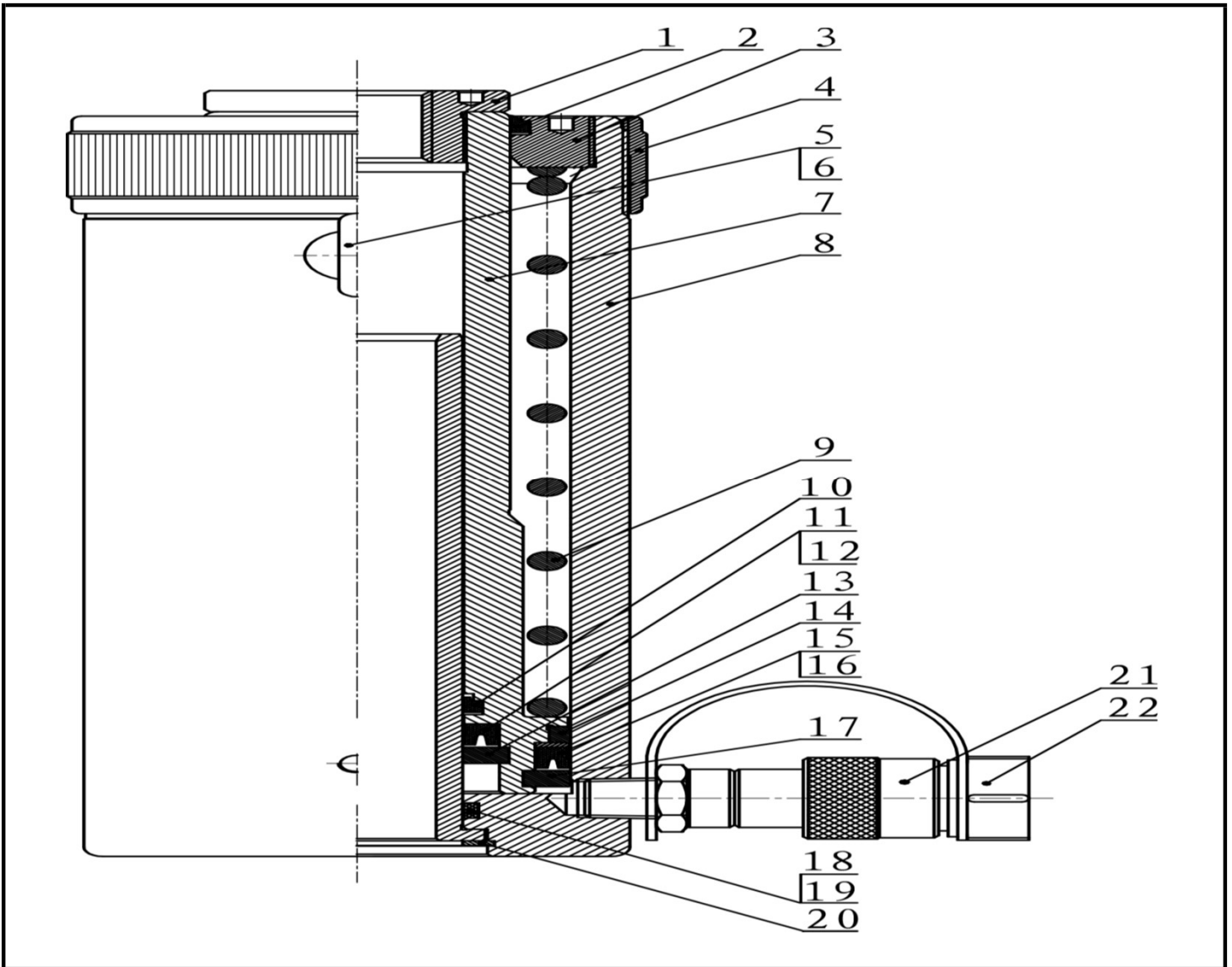


## Single-Acting Hollow Cylinders - SHC

Doc. : L1062A Date : 2019/01



Item NO.	Description	Qty	Part NO.
			SHC200-155
1	Lifting head	1	2.001.02292
2	J-dustband	1	●
3	Guide cap	1	2.001.02293
4	Thread protector	1	2.001.02298
5	Lifting bolt (Item #6 included)	2	1.3.009.00004
6	Hexagon nut	2	-
7	Piston rod	1	2.001.02295
8	Oil cylinder	1	2.001.02294
9	Returning spring	1	1.3.011.00074
10	J-dustband	1	1.3.001.00036
11	/	/	/
12	U- ring	1	●
13	Back the inner guide sleeve	1	2.001.02297
14	/	/	/
15	/	/	/
16	U- ring	1	●
17	Back the guide sleeve	1	2.001.02296
18	Backup Washer	1	●
19	O- ring	1	●
20	Centre hole	1	2.001.02299
21	Circlips for holes	1	●
22	Female connector	1	1.3.025.00004
23	Connector protective jacket for NPT3/8"	1	1.3.097.00002
●	Repair kit	1	SHC200-RK