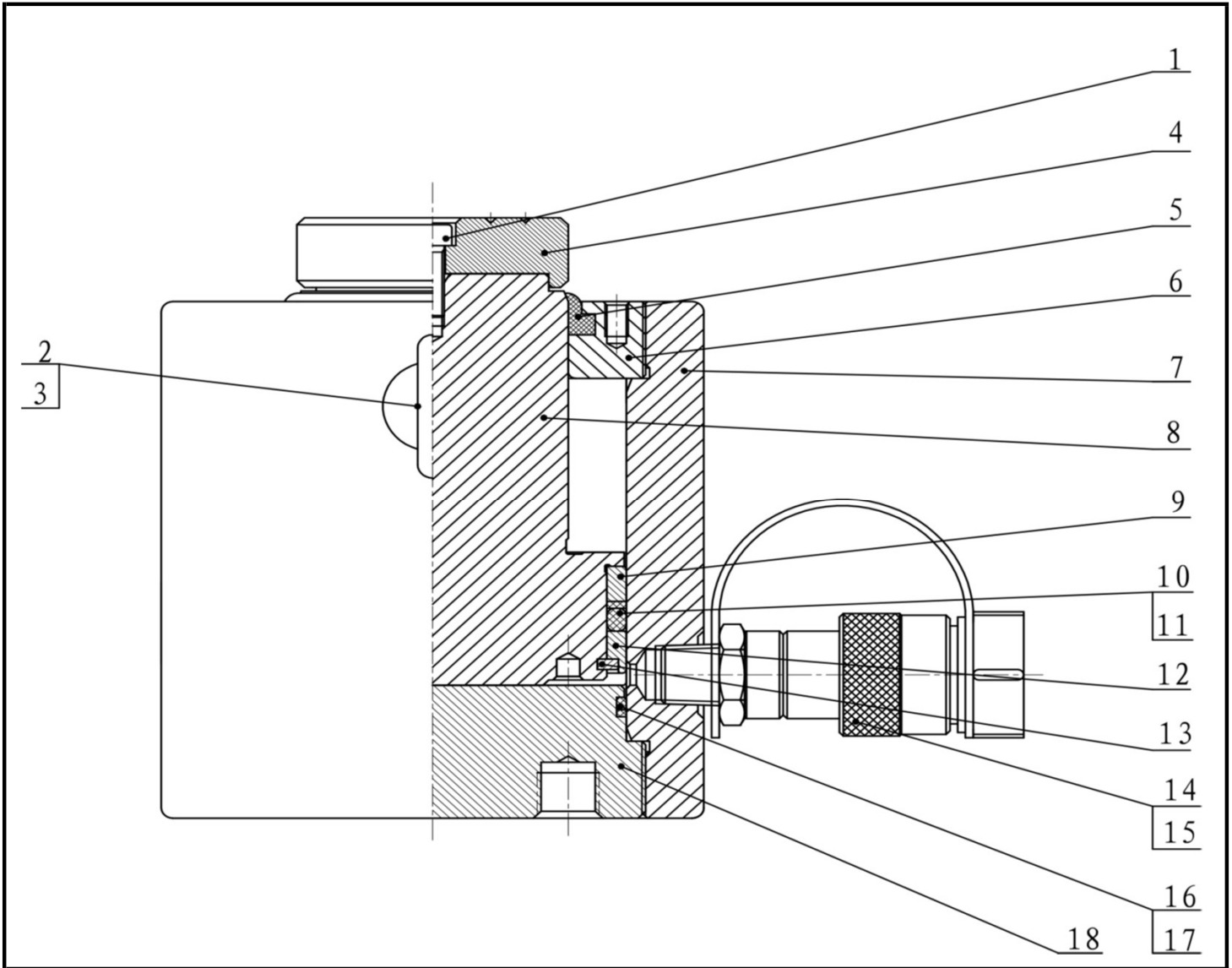


Single-Acting High Tonnage Cylinders - SHT series

Doc. : L1036A Date : 2019/01



Item NO.	Description	Qty	Part NO.			
			SHT150-50	SHT150-100	SHT150-150	SHT150-200
1	Hexagon socket head cap screws	1				●
2	Lifting bolt (Item #3 included)	2		1.3.009.00006		
3	Hexagon nut	2		-		
4	Lifting head	1		2.001.02659		
5	J-dustband	1				●
6	Guide cap	1		2.001.02912		
7	Oil cylinder	1		2.001.03332 (SHT150-50)		
		1		2.001.03334 (SHT150-100)		
		1		2.001.02913 (SHT150-150)		
		1		2.001.03336 (SHT150-200)		
8	Piston rod	1		2.001.03333 (SHT150-50)		
		1		2.001.03335 (SHT150-100)		
		1		2.001.02914 (SHT150-150)		
		1		2.001.03337 (SHT150-200)		
9	Front guide sleeve	1		2.001.02915		
10	Backup Washer	1				●
11	O-ring	1				●
12	Back guide sleeve	1		2.001.02656		
13	Semi-ring	1		2.001.02657		
14	Female connector	1		1.3.025.00004		
15	Connector protective jacket for NPT3/8"	1		1.3.097.00002		
16	Backup Washer	1				●
17	O-ring	1				●
18	Bottom cap	1		2.001.02658		
●	Repair kit	1				SHT150-RK