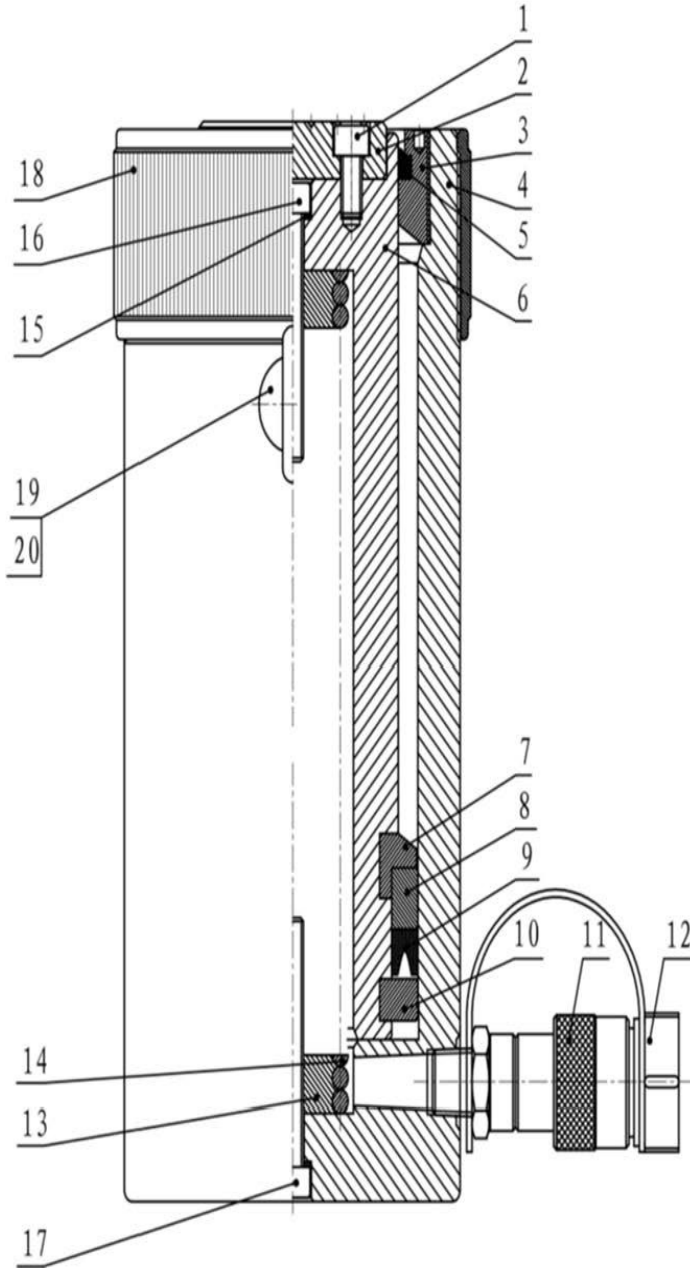


Single-Acting Cylinders - SRC series

Doc. : L1010A Date : 2019/01



Item NO.	Description	Qty	Part NO.
			SRC series
1	Hexagon socket head cap screws	2	●
2	Lifting head	1	2.001.00501
3	Guide cap	1	2.001.03113
4	Oil cylinder	1	2.001.00502 (SRC100-168)
		1	2.001.00284 (SRC100-260)
5	J-dustband	1	●
6	Piston rod	1	2.001.00503 (SRC100-168)
		1	2.001.00163 (SRC100-260)
7	Semi-ring	1	2.001.03366
8	Front guide sleeve	1	2.001.03367
9	U- ring (General hole shaft)	1	●
10	Back guide sleeve	1	2.001.03368
11	Female connector	1	1.3.025.00004
12	Connector protective jacket for NPT3/8"	1	1.3.097.00002
13	Spring connecting head	2	-
14	Returning spring (Item #13 included)	1	1.3.011.00019 (SRC100-168)
		1	1.3.011.00004 (SRC100-260)
15	Copper gasket	2	●
16	Hexagon socket head cap screws (full thread)	1	●
17	Hexagon socket head cap screws (full thread)	1	●
18	Thread protector	1	2.001.01650
19	Lifting bolt (Item #20 included)	2	1.3.009.00005
20	Hexagon nut	2	-
●	Repair kit	1	SRC100-RK