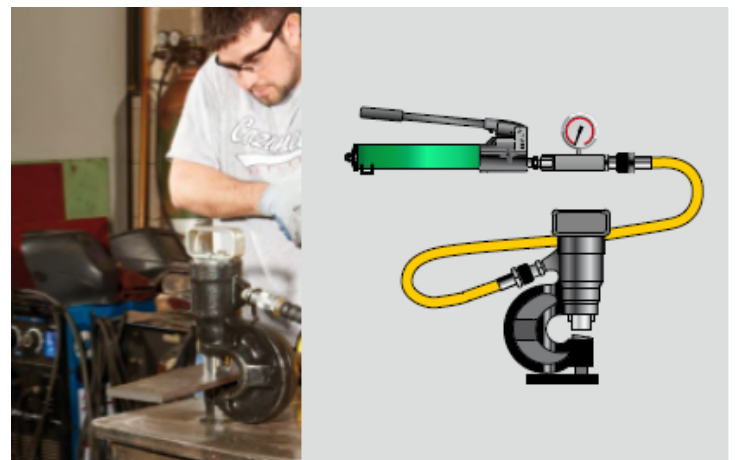
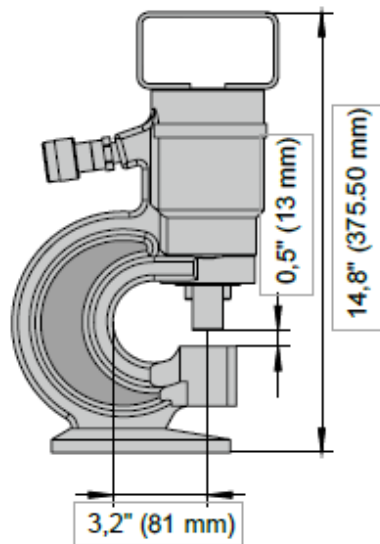


# FSH Series - FOREM Hydraulic Hole Punch



## Characteristics

- Punch smooth, precise holes in seconds; much faster than drilling
- Fully portable for construction, maintenance and service applications, or can be mounted on a workbench for production jobs
- Dual action, spring loaded stripper holds material during punching operation, strips material from punch on return
- Punch sizes: 13/32 (10.5mm), 15/32 (12mm), 11/16 (17.5mm) et 13/16 (20.5mm)



## Specifications sheet

Model	Capacity (Tons)	Throat deep (mm)	Maximum Allowable Material Thickness To Be Punched (mm)		Maximum operating pressure (PSI)	Weight (kg)
			Copper	Iron		
FSH-70B	31	75	15/32" (12)	3/8" (10)	10,000	22.05 (10)