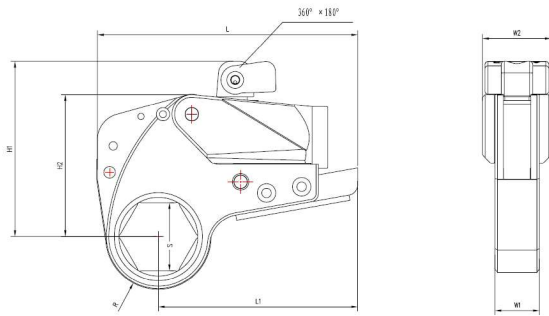


▼ **FTXD-FTXL SERIES**

LOW PROFILE HYDRAULIC TORQUE WRENCH

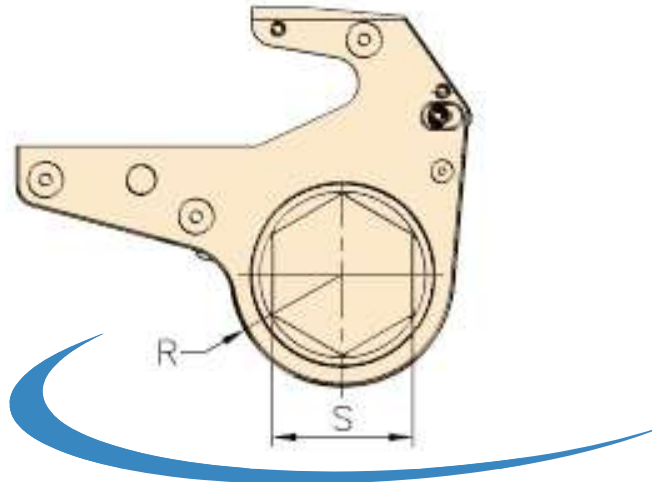


> **CHARACTERISTICS**

- Versatile, accurate, durable and dependable.
- Made with high grade aluminum titanium alloy and high strength alloy steel.
- Multi position safety swivel 360°.
- Smallest design, fit friendly.
- Nickel plated for corrosion resistance.
- 2 years warranty.

Model	FTXD-2	FTXD-4	FTXD-8	FTXD-14	FTXD-18	FTXD-30
Max. Torque FT/LB N.m	1869 (2534)	3977 (5392)	7709 (10452)	11982 (16245)	16889 (22899)	29974 (40639)
Min. Torque FT/LB N.m	180 (244)	361 (489)	750 (1017)	1272 (1724)	1657 (2247)	2997 (4064)
FTXL Hex Link Size - Inch (mm)	3/4" - 2" (19-50)	1-1/16" - 2-9/16" (27-65)	2" - 3-5/8" (50-90)	3-5/16" - 4-9/16" (85-115)	3-5/8" - 5-5/16" (95-135)	3-15/16" - 6-1/8" (100-155)
L - Inch (mm)	8.07 (205)	9.89 (251.3)	11.91 (302.5)	14.45 (367)	15.77 (400.5)	18.01 (457.5)
L1 - Inch (mm)	5.79 (147)	7.40 (188)	9.17 (233)	11.14 (283)	12.13 (308)	14.33 (364)
H1 - Inch (mm)	5.08 (129)	6.42 (163)	7.52 (191)	8.78 (223)	9.69 (246)	11.10 (282)
H2 - Inch (mm)	3.94 (100)	5.35 (136)	6.56 (166.5)	7.8 (198)	8.82 (224)	10.43 (265)
W1 - Inch (mm)	1.26 (32)	1.61 (41)	2.09 (53)	2.52 (64)	2.76 (70)	3.31 (84)
W2 - Inch (mm)	1.97 (50)	2.6 (66)	3.27 (83)	3.90 (99)	4.33 (110)	5.20 (132)
R - Inch (mm)	1.63 (41.3)	2.12 (53.8)	2.71 (68.8)	3.36 (85.3)	3.89 (98.8)	4.56 (115.8)
Weight - Lbs (Kg)	4.9 (2.2)	11.0 (5.0)	21.2 (9.6)	37.3 (16.9)	50.5 (22.9)	83.8 (38.0)

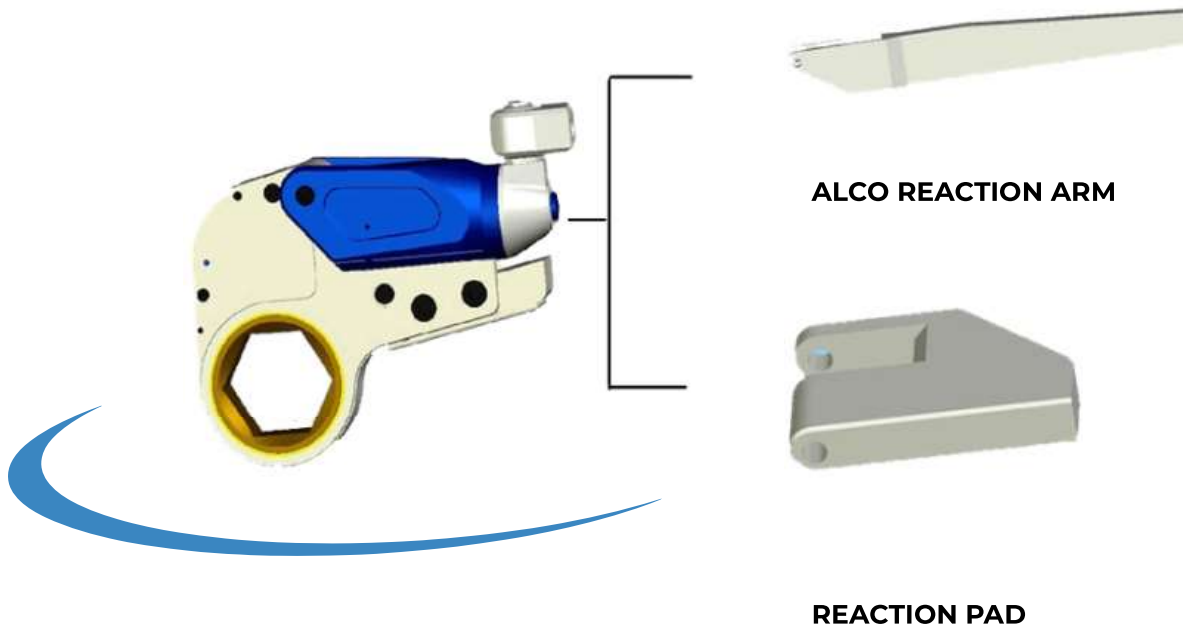
▼ **FTXL SERIES**
FTXD RATCHET
LINK



Hex Size (S)	FTXL-2	FTXL-4	FTXL-8	FTXL-14	FTXL-18	FTXL-30
1-1/16" (27MM)	FTXL2-101					
30MM	FTXL2-30MM					
1-1/4" (32MM)	FTXL2-104					
1-7/16" (36MM)	FTXL2-107					
1-5/8" (41MM)	FTXL2-110	FTXL4-110				
1-13/16" (46MM)	FTXL2-113	FTXL4-113				
50MM	FTXL2-50MM	FTXL4-50MM				
2"	FTXL2-200	FTXL4-200	FTXL8-200			
2-3/16" (55MM)	FTXL2-203	FTXL4-203	FTXL8-203			
2-3/8" (60MM)		FTXL4-206	FTXL8-206			
2-9/16" (65MM)		FTXL4-209	FTXL8-209	FTXL14-209		
2-3/4" (70MM)		FTXL4-212	FTXL8-212	FTXL14-212		
2-15/16" (75MM)		FTXL4-215	FTXL8-215	FTXL14-215		
3-1/8"			FTXL8-302	FTXL14-302	FTXL18-302	
80MM			FTXL8-80MM	FTXL14-80MM	FTXL18-80MM	
3-5/16"			FTXL8-305	FTXL14-305	FTXL18-305	
85MM			FTXL8-85MM	FTXL14-85MM	FTXL18-85MM	FTXL30-85MM
3-1/2"			FTXL8-308	FTXL14-308	FTXL18-308	FTXL30-308
90MM				FTXL14-90MM	FTXL18-90MM	FTXL30-90MM
3-11/16				FTXL14-311	FTXL18-311	FTXL30-311
3-3/4" (95MM)				FTXL14-312	FTXL18-312	FTXL30-312
3-7/8"				FTXL14-314	FTXL18-314	FTXL30-314
100MM				FTXL14-100MM	FTXL18-100MM	FTXL30-100MM
105MM				FTXL14-105MM	FTXL18-105MM	FTXL30-105MM
4-1/4"					FTXL18-404	FTXL30-404
110MM					FTXL18-110MM	FTXL30-110MM
115MM					FTXL18-115MM	FTXL30-115MM
4-5/8"					FTXL18-410	FTXL30-410
5"					FTXL18-500	FTXL30-500
130MM					FTXL18-130MM	FTXL30-130MM
5-3/8"						FTXL30-506
145MM						FTXL30-145MM
5-3/4"						FTXL30-512
6-1/8" (155MM)						FTXL30-602
6-1/2"						FTXL30-608

OTHER SIZES AVAILABLE ON REQUEST

▼ **HYDRAULIC TORQUE WRENCH ACCESSORIES**
LOW PROFILE WRENCH REACTION ARMS



▼ LOW PROFILE WRENCH REACTION ARMS AND ADAPTORS

ALCO REACTION ARMS



	FTXL-2	FTXL-4	FTXL-8	FTXL-14	FTXL-18	FTXL-30
6" Alco Arm	FTXL2-ALC6	FTXL4-ALC6	FTXL8-ALC6	FTXL14-ALC6	FTXL18-ALC6	FTXL30-ALC6
12" Alco Arm	FTXL2-ALC12	FTXL4-ALC12	FTXL8-ALC12	FTXL14-ALC12	FTXL18-ALC12	FTXL30-ALC12
18" Alco Arm	FTXL2-ALC18	FTXL4-ALC18	FTXL8-ALC18	FTXL14-ALC18	FTXL18-ALC18	FTXL30-ALC18
24" Alco Arm	FTXL2-ALC24	FTXL4-ALC24	FTXL8-ALC24	FTXL14-ALC24	FTXL18-ALC24	FTXL30-ALC24

REACTION PAD



	FTXL-2	FTXL-4	FTXL-8	FTXL-14	FTXL-18	FTXL-30
Reaction Pad	FTXL2-RP	FTXL4-RP	FTXL8-RP	FTXL14-RP	FTXL18-RP	FTXL30-RP

HEX TO SQUARE DRIVE ADAPTOR



	FTXL-2	FTXL-4	FTXL-8	FTXL-14	FTXL-18	FTXL-30
Hex to 3/4" SQDR	FTXL2-HX###SQ075					
Hex to 1" SQDR	FTXL2-HX###SQ100	FTXL4-HX###SQ100				
Hex to 1-1/2" SQDR		FTXL4-HX###SQ150	FTXL8-HX###SQ150	FTXL14-HX###SQ150	FTXL18-HX###SQ150	
Hex to 2-1/2" SQDR			FTXL8-HX###SQ250	FTXL14-HX###SQ250	FTXL18-HX###SQ250	FTXL30-HX###SQ250

CUSTOM SIZES AVAILABLE ON REQUEST