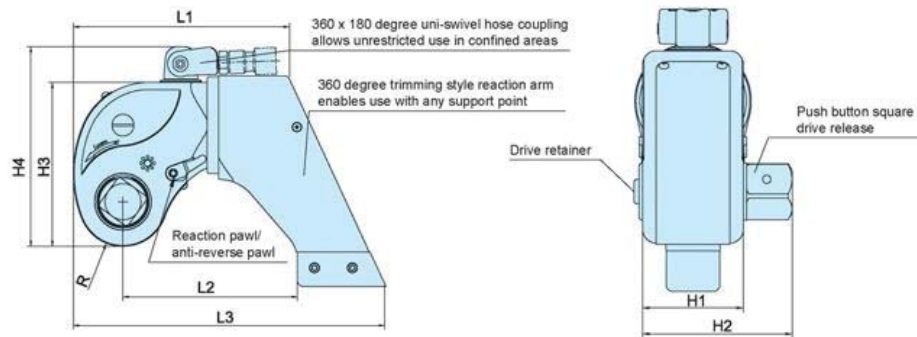


▼ FTSD SERIES SQUARE DRIVE HYDRAULIC TORQUE WRENCH



> CHARACTERISTICS

- Made with high grade aluminium titanium alloy and high strength alloy steel.
- +/- 3% accuracy.
- 360° uni-swivel hose coupling
- Anti-reversed pawl designed to prevent ratchet return and maintain required torque.
- 2 years warranty.



> SPECIFICATIONS SHEET

Model	Torque Range		Square Drive	Dimensions								Drive Unit Weight
				L1	L2	L3	H1	H2	H3	H4	R	
	Ft.lb	N.m	Inch	Inch								Lbs
FTSD-1	121-1299	164-1760	3/4"	5,12	4,02	7,17	2,05	3,03	3,78	5,24	1,02	4,4
FTSD-3	320-3197	433-4332	1"	6,70	5,51	9,80	2,76	3,86	5,00	6,50	1,37	8,8
FTSD-5	548-5476	742-7420	1-1/2"	7,95	6,30	11,26	3,19	4,92	5,87	7,24	1,57	15,4
FTSD-8	749-7697	1015-10430	1-1/2"	8,97	7,24	12,83	3,54	5,28	6,77	8,15	1,84	22,1
FTSD-10	1114-11137	1509-15090	1-1/2"	9,33	7,56	13,23	3,94	5,67	7,13	8,50	2,00	26,5
FTSD-15	1432-14324	1940-19409	1-1/2"	10,75	8,78	15,39	4,33	6,46	8,11	9,49	2,24	44,1
FTSD-20	1848-19518	2504-26447	2-1/2"	11,30	9,76	17,05	4,72	7,36	8,70	10,08	2,35	55,1
FTSD-25	2442-35554	3309-34626	2-1/2"	12,72	10,08	18,27	5,43	8,11	10,16	9,09	2,79	72,8
FTSD-35	3499-34992	4741-47414	2-1/2"	13,82	10,67	19,45	6,02	8,54	10,98	12,40	3,02	94,8
FTSD-50	5111-51105	6925-69247	2-1/2"	14,80	11,61	20,79	6,38	8,90	11,46	12,83	3,10	114,6