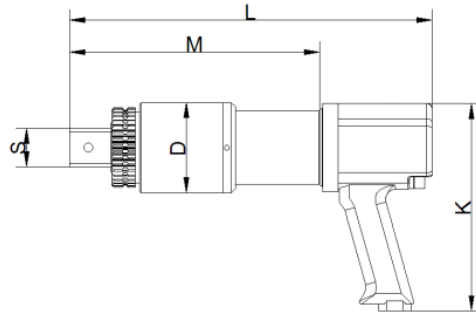


FPW Series - Single speed

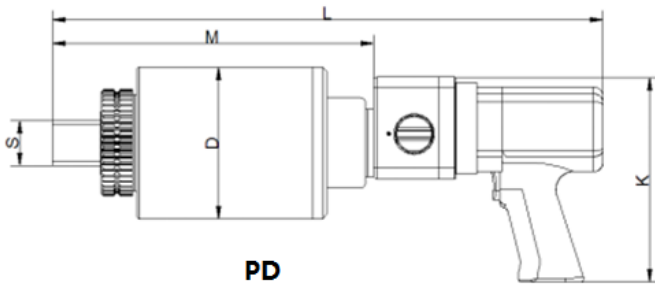


Features

- Powered by the reliable Ingersoll Rand(IR) Air Motor
- Light and Compact Design, Suitable for a Variety of Applications
- Heavy Duty Gear Box for Longer Operational Life
- Accuracy over +/- 5%

Model	Min. torque (Ft/lb)	Max. torque (Ft/lb)	S (mm)	D (mm)	M (mm)	L (mm)	K (mm)	Weight (Lbs)	Speed (rpm)
FPW-700SS	213	700	0.75" (19)	2.91" (74)	6.77" (172)	11.89" (302)	7.68" (195)	11.02	20.5
FPW-1000SS	354	1209	1" (25.4)	3.07" (78)	8.43" (214)	13.54" (344)	7.68" (195)	13.23	11.5
FPW-1500SS	361	1512	1" (25.4)	3.07" (78)	8.43" (214)	13.54" (344)	7.68" (195)	13.23	9
FPW-2000SS	597	2286	1" (25.4)	3.46" (88)	10" (254)	15.12" (384)	7.68" (195)	19.84	5.5
FPW-3000SS	877	3171	1.5" (38.1)	3.46" (88)	10" (254)	15.12" (384)	7.68" (195)	19.84	3.8
FPW-4500SS	811	4572	1.5" (38.1)	4.45" (113)	11.14" (283)	16.26" (413)	7.68" (195)	33.07	2.7
FPW-6000SS	1180	5900	1.5" (38.1)	4.72" (120)	11.5" (292)	16.61" (422)	7.68" (195)	35.27	1.9
FPW-8000SS	2729	7818	1.5" (38.1)	5.04" (128)	13.23" (336)	18.35" (466)	7.68" (195)	46.3	1.4
FPW-10000SS	2876	9957	1.5" (38.1)	5.04" (128)	13.23" (336)	18.35" (466)	7.68" (195)	46.3	1.1

FPW Series - Double speed

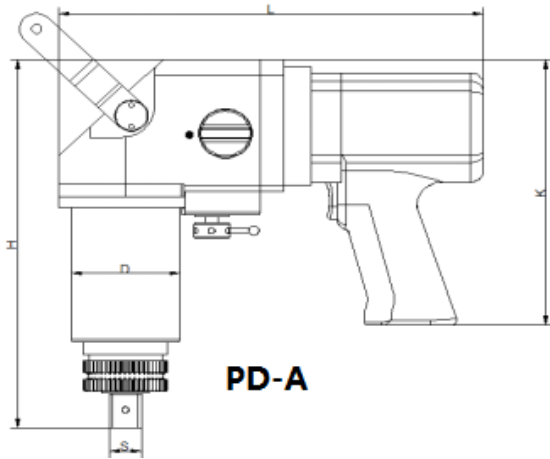


Features

- Powered by the reliable Ingersoll Rand(IR) Air Motor
- Two working mode selection: low speed and high speed
- Heavy Duty Gear Box for Longer Operational Life
- Accuracy over +/- 5%

Model	Min. torque (Ft/lb)	Max. torque (Ft/lb)	S (mm)	D (mm)	L (mm)	K (mm)	M (mm)	Weight (Lbs)	Speed (rpm)
FPW-700DS	104	692	0.75" (19)	2.95" (75)	12.75" (324)	6.77" (172)	5.16" (131)	8.82	28
FPW-1100DS	147	1143	1" (25.4)	3.03" (77)	14.09" (358)	6.77" (172)	6.50" (165)	11.02	20
FPW-2200DS	368	2286	1" (25.4)	3.19" (81)	15.47" (393)	6.77" (172)	7.87" (200)	15.43	6
FPW-3000DS	442	3171	1.5" (38.1)	3.46" (88)	16.18" (411)	6.77" (172)	8.58" (218)	17.64	4.1
FPW-4500DS	590	4572	1.5" (38.1)	4.44" (113)	17.28" (439)	6.77" (172)	9.68" (246)	30.86	3.8
FPW-6100DS	693	6121	1.5" (38.1)	4.72" (120)	17.75" (451)	6.77" (172)	10.16" (258)	35.27	1.2
FPW-7500DS	1180	7449	1.5" (38.1)	5.04" (128)	18.23" (463)	6.77" (172)	10.63" (270)	39.68	1.4
FPW-9000DS	1180	8998	1.5" (38.1)	5.04" (128)	18.23" (463)	6.77" (172)	10.63" (270)	39.68	1.4

FPW Series - Double speed angle



Features

- Powered by the reliable Ingersoll Rand(IR) Air Motor.
- Two working mode selection: low speed and high speed.
- Heavy Duty Gear Box for Longer Operational Life.
- Accuracy over +/- 5%
- Built with an angle to work in small tight spaces.

Model	Min. torque (Ft/lb)	Max. torque (Ft/lb)	S (mm)	D (mm)	L (mm)	H (mm)	Weight (Lbs)	Speed (rpm)
FPW-700A	102	671	0.75" (19)	2.55" (65)	10" (254)	8.94" (227)	13.23	28
FPW-1100A	155	1106	1" (25.4)	3.03" (77)	10" (254)	10.27" (261)	15.43	20
FPW-2200A	209	2212	1" (25.4)	3.19" (81)	10" (254)	11.65" (296)	17.64	6
FPW-3000A	413	3090	1.5" (25.4)	3.46" (88)	10" (254)	12.36" (314)	22.05	4
FPW-4500A	590	4425	1.5" (38.1)	4.44" (113)	10" (254)	13.46" (342)	35.27	3.8
FPW-6100A	811	5974	1.5" (38.1)	4.72" (120)	10" (254)	13.94" (354)	37.48	1.2
FPW-7500A	1180	7965	1.5" (38.1)	5.04" (128)	10" (254)	14.41" (366)	44.09	1.4
FPW-9000A	1180	8850	1.5" (38.1)	5.04" (128)	10" (254)	14.41" (366)	44.09	1.4