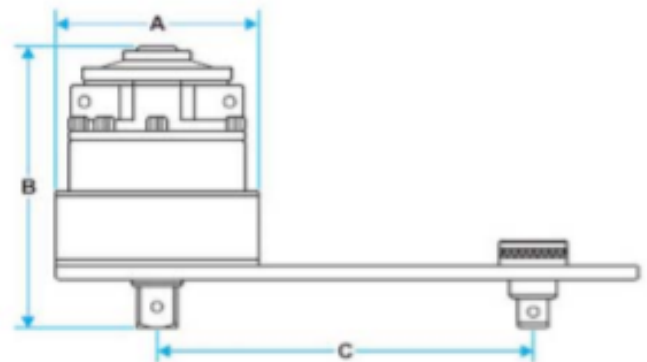
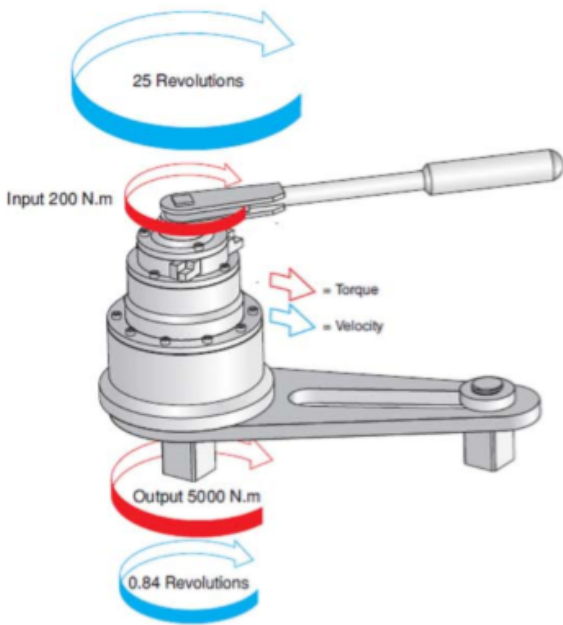


# FTM Series - Hand torque multiplier



## Features

- Anti Wind-Up ratchet
- Suggested for tightening of high tensile bolts or loosening rusty and frozen nut bolts.
- Use at very high torque to minimize input effort.
- Heavy Duty tool to increase the torque
- Two multiplication factors available : 5:1 and 25:1
- Torque from 750 to 7000 ft./lb



## Specifications sheet

Hand Torque model no.	Max. Output Torque			Max. Input torque			Bolt capacity		Multiplication factor	Female Input Sq.in	Male Output Sq.in	Major dia. (mm) (A)	Depth recommende d (mm) (B)	Weight with reaction plate (Lbs)	c	
	Ft/lb	Nm	Kgf.m	Ft/lb	Nm	In.	mm.	Min.							Max.	
FTM-1	1250	1700	170	250	340	1.13	28	5	1/2	3/4	4.53" (115 mm)	3.34" (85 mm)	8.82			
FTM-2	1250	1700	170	250	340	1.13	28	5	3/4	1	4.53" (115 mm)	3.66" (93 mm)	11.02			
FTM-2/25	1250	1700	170	50	68	1.13	28	25	1/2	1	4.53" (115 mm)	5.94" (151 mm)	15.43	75	164	
FTM-5	2000	2700	275	400	540	1.38	35	5	3/4	1	5.35" (136 mm)	5.31" (135 mm)	17.64	89	260	
FTM-5/25	2000	2700	275	80	108	1.38	35	25	1/2	1	5.35" (136 mm)	6.42" (163 mm)	24.25	89	260	
FTM-6	2500	3400	345	500	680	1.5	38	5	3/4	1-1/2	5.35" (136 mm)	5.87" (149 mm)	17.64	105	260	
FTM-6/25	2500	3400	345	100	136	1.5	38	25	1/2	1-1/2	5.35" (136 mm)	6.93" (176 mm)	24.25	105	260	
FTM-7	4500	6000	622	900	1200	2.5	62	5	3/4	1-1/2	6.61" (168 mm)	6.85" (174 mm)	33.07	115	310	
FTM-7/25	4500	6000	622	180	240	2.5	62	25	1/2	1-1/2	6.61" (168 mm)	8.90" (226 mm)	41.89	115	310	
FTM-9/25	7000	9500	965	280	380	3	75	25	3/4	1-1/2	7.68" (195 mm)	10.08" (256 mm)	59.52	150	350	
FTM-11/25	11060	15000	1500	442.4	600	3.5	89	25	3/4	2-1/2	8.66" (220 mm)	14.17" (360 mm)	114.64	164	480	
FTM-13/25	35000	47500	4845	280	380	4.5	114	125	3/4	2-1/2	12.40" (315 mm)	21.65" (550 mm)	297.62	164	480	