

BTG SERIES Hydraulic Bolt Tensioners



- Bolt Range:** 3/4" - 4" M20-M100
- Load Capacity:** 22.9-265.3tons
- Stroke:** 0.4-0.6inch
- Max. Operating Pressure:** 21,750psi

Ordering Example

Please select the adaptor kit with the load cell.

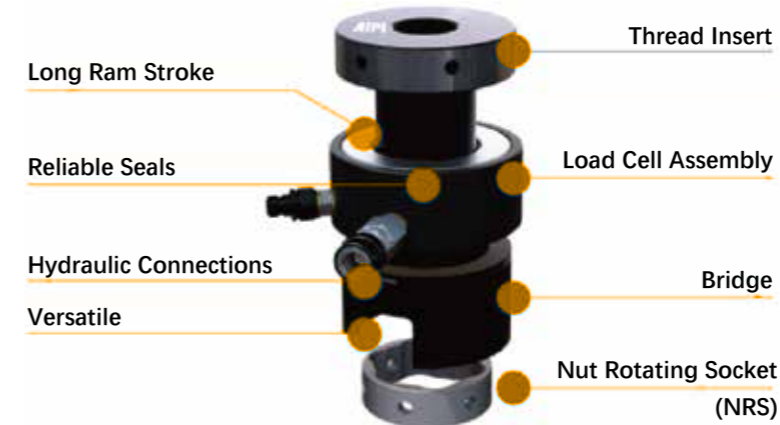
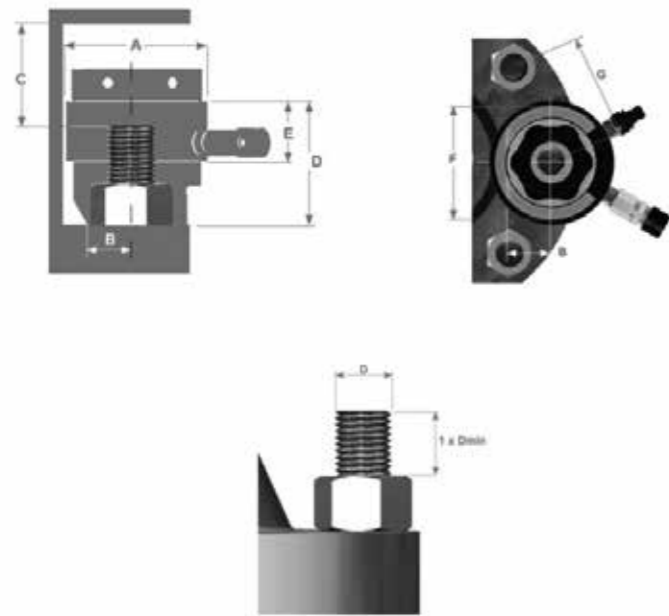
Example, to order a complete tensioner for a 3/4" -10UNC threaded bolt order :

- Load cell: BTG1
- Adaptor kit: BTG1-0750 U10

If you also want a stretch cylinder to fit a variety of bolt specifications, please select a variety of stretch heads according to the parameter list.

Features

- Light weight and compact structure suits operations in small space.
- Special steel body and advanced surface treatment with perfect rust and corrosion resistance.
- Strong versatility and high adaptability
- Synchronous application available.
- Default maximum working pressure of 21750psi fits high pressure manual pump, high pressure pneumatic pump and high pressure electric pump.



Selected pump

Ultra-High Pressure Electric Pump
ETTP series ultra-high pressure electric pump can be selected.

Ultra-High Pressure Air Pump
PTP series ultra-high pressure air pump can be selected.

Hand Pump
Optional HP series manual pump, HP16-1, HP16-3 for bolt tensioners. See the section of hydraulic pumps for details. For details, please refer to the section "hydraulic pumps".

Load Cell Model Number	Adaptor Kit Model Number	Thread Size	Thread Size	Adaptor Kit Model Number	Bolt Load		Ram Area	Stroke	Weight	A	B	C	D	E	F	G						
					Imperial	Inch											mm	Metric	Kn	Ton	In ²	inch
BTG1	BTG1-0750 U10	3/4"-10UNC	M20x2.5	BTG1-M2025	227.80	22.86	2.35	0.4	4	2.9	0.83	2.64	2.80	1.77	2.44	1.95						
	BTG1-0875 U09	7/8"-9UNC	M22x2.5	BTG1-M2225													0.94	2.52	2.80	2.48	2.10	
	BTG1-1000 U08	1"-8UN	M24x3	BTG1-M2430													0.94	2.72	3.07	2.72	2.30	
	BTG1-1125 U08	1.1/8"-8UN	M27x3	BTG1-M2730													0.94	2.60	3.10	2.90	2.50	
BTG2	BTG2-1125 U08	1.1/8"-8UN	M27x3	BTG2-M2730	443.00	44.46	4.58	0.6	11	4.02	1.06	3.35	3.62	2.13	3.23	2.66						
	BTG2-1250 U08	1.1/4"-8UN	M30x3.5	BTG2-M3035													11	1.26	3.35	3.66	3.35	2.72
	BTG2-1375 U08	1.3/8"-8UN	M36x4	BTG2-M3640													10	1.22	3.30	3.74	3.35	2.83
	BTG2-1500 U08	1.1/2"-8UN	M39x4	BTG2-M3940													10	1.34	3.30	3.86	3.58	3.07
BTG3	BTG3-1500 U08	1.1/2"-8UN	M39x4	BTG3-M3940	810.85	81.38	8.38	0.6	21	5.24	1.44	3.86	4.29	2.2	3.82	3.30						
	BTG3-1625 U08	1.5/8"-8UN	M42x4.5	BTG3-M4245													20	1.48	3.66	4.20	4.33	3.64
	BTG3-1750 U08	1.3/4"-8UN	M45x4.5	BTG3-M4545													21	1.60	3.88	4.57	4.53	3.86
	BTG3-1875 U08	1.7/8"-8UN	M48x5	BTG3-M4850													20	1.67	3.74	4.57	4.57	3.98
BTG4	BTG4-2000 U08	2"-8UN	M52x5	BTG3-M5250	1273.16	127.78	13.16	0.6	19	6.42	1.97	3.68	4.60	2.24	4.72	4.17						
	BTG4-1875 U08	1.7/8"-8UN	M48x5	BTG4-M4850													35	1.71	4.17	4.65	5.12	4.25
	BTG4-2000 U08	2"-8UN	M52x5	BTG4-M5250													35	1.81	4.04	4.60	4.88	4.25
	BTG4-2250 U08	2.1/4"-8UN	M56x5.5	BTG4-M5655													40	2.17	4.06	4.84	5.28	4.67
BTG5	BTG4-2500 U08	2.1/2"-8UN	M60x5.5	BTG4-M6055	1829.00	183.56	18.90	0.6	33	7.6	2.13	4.78	5.73	2.24	5.90	5.00						
	BTG4-2500 U08	2.1/2"-8UN	M64x6	BTG4-M6460													40	2.28	4.04	5.12	5.79	5.14
	BTG5-2500 U08	2.1/2"-8UN	M64x6	BTG5-M6460													50	2.52	4.23	5.24	5.79	5.14
	BTG5-2750 U08	2.3/4"-8UN	M68x6	BTG5-M6860													52	3.15	4.37	5.55	6.30	5.43
BTG6	BTG5-3000 U08	3"-8UN	M72x6	BTG5-M7260	2643.43	265.30	27.32	0.6	49	9.17	2.83	4.53	5.80	2.36	6.34	5.63						
	BTG5-3000 U08	3"-8UN	M76x6	BTG5-M7660													85	3.03	4.25	5.75	6.69	6.02
	BTG6-3000 U08	3"-8UN	M76x6	BTG6-M7660													84	3.07	4.60	6.06	7.00	6.12
	BTG6-3250 U08	3.1/4"-8UN	M80x6	BTG6-M8060													84	3.07	4.50	6.06	7.17	6.52
BTG6	BTG6-3500 U08	3.1/2"-8UN	M85x6	BTG6-M8560	2643.43	265.30	27.32	0.6	82	9.17	3.39	4.50	6.30	2.52	7.52	6.87						
	BTG6-3750 U08	3.3/4"-8UN	M90x6	BTG6-M9060													82	3.90	4.57	6.60	8.27	7.22
	BTG6-4000 U08	4"-8UN	M95x6	BTG6-M9560													80	4.13	4.57	6.85	8.66	7.87
	BTG6-4000 U08	4"-8UN	M100x6	BTG6-M10060													80	4.13	4.57	6.85	8.66	7.87