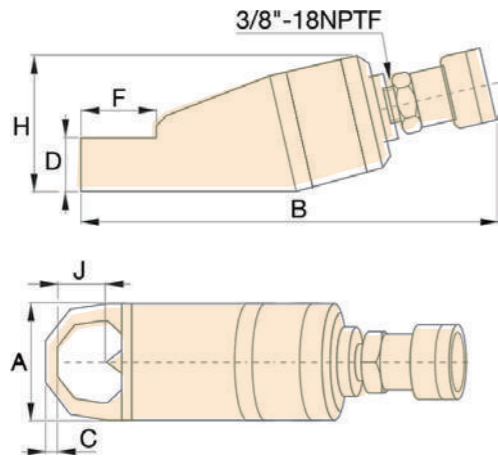


# SHNS SERIES Hydraulic Nut Splitters



## Features

- Compact and ergonomic design, easy to use.
- Unique angled head allows flush access.
- Single-acting, spring return cylinder.
- Heavy duty chisels can be reground.
- Nut Splitters include NPT3/8 quick coupling and dust cap.
- Application include service trucks, piping industry, tank cleaning, petrochemical, steel construction, mining, etc.



Bolt Range (inch)	Hexagon Nut Range (inch)	Capacity ton	Oil Capacity (in <sup>3</sup> )	Model Number	Dimensions (inch)							Weight (lbs)	Replacement Chisel Model Number
					A	B	C	D	F	H	J		
5/16-1/2	1/2-3/4	5	0.92	SHNS-1019	1.57	6.70	0.28	0.75	1.10	1.90	0.83	3	SHNSB-1019
1/2-5/8	3/4-15/16	10	1.22	SHNS-1924	2.13	7.52	0.39	1.02	1.57	2.44	0.98	4	SHNSB-1924
5/8-3/4	15/16-1 1/4	15	3.66	SHNS-2432	2.52	8.74	0.50	1.14	2.00	2.83	1.30	7	SHNSB-2432
3/4-1	1 1/4-1 5/8	20	4.88	SHNS-3241	2.95	9.60	0.67	1.42	2.60	3.46	1.70	10	SHNSB-3241
1-1 1/4	1 5/8-2	35	9.46	SHNS-4150	3.70	11.34	0.83	1.77	2.90	4.13	2.13	18	SHNSB-4150
1 1/4-1 1/2	2-2 3/8	50	14.65	SHNS-5060	4.17	12.52	0.90	2.13	3.54	5.04	2.36	26	SHNSB-5060
1 1/2-1 7/8	2 3/8-2 15/16	90	30.00	SHNS-6075	6.14	15.47	1.02	2.83	4.33	7.13	3.15	75	SHNSB-6075

- Capacity: 5-90ton
- Hexagon Nut Range: 1/2" - 2 5/16"
- Bolt Range: 5/16" - 1 7/8"
- Maximum Operating Pressure: 10,000 psi

### Sets Selection

SHNS nut splitter, optional pump, pressure gauge, pressure gauge adaptor and tubing actualization requirements.

**Example (To cut 1 1/4 nut) :**

#### Selected nut splitter

- SHNS - 5060,

#### Selected hand pump

- HP7-1, light manual pump

#### Selected hose

- RH-A6-NPT3/8, length 0.24inch, connection NPT3/8" rubber hose

#### Selected pressure gauge

- HG400-15kpsi, pressure range 0-15000psi, gauge diameter 3.94 inch

#### Selected gauge adaptor

- HP7-1XS,

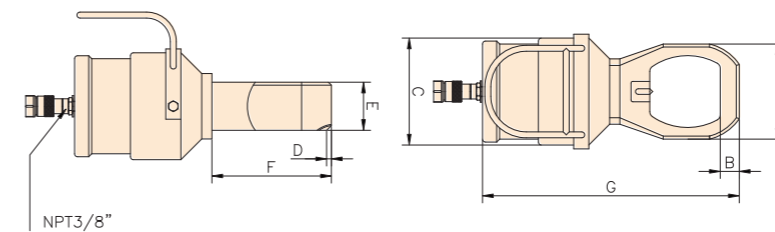


# SHNG SERIES Hydraulic Nut Splitters



## Features

- Uniquely designed to suit standard ANSI B16.5/ BS1560 flanges.
- Single-acting, spring return cylinder.
- Tri-blade technology provides three cutting surfaces on a single blade.
- Interchangeable heads provide maximum nut range flexibility.
- Preset scale allows controlled blade extension, which avoids damage to bolt threads.
- Grip tape and handle included for more secure manoeuvring.
- Nickel-plated cylinder body for excellent corrosion protection and improved durability in harsh environments.
- Internal Pressure Relief Valve for overload protection.



Bolt Range (inch)	Hexagon Nut Range (inch)	Capacity ton	Oil Capacity (in <sup>3</sup> )	Model Number	Dimensions (inch)							Weight (lbs)	Cylinder	Cutting Head	Replacement Chisel Model Number
					A	B	C	D	F	H	J				
1 3/4-2	2 3/4-3 1/8	103	23	SHNG-7080	5.2	1.1	7.1	0.3	3.2	7.3	16.2	81.4	SHNGC-70	SHNGH-7080	SHNGB-70
1 3/4-2 1/4	2 3/4-3 1/2	103	23	SHNG-7085	5.7	1.2	7.1	0.3	3.2	7.7	16.6	82.7	SHNGC-70	SHNGH-7085	SHNGB-70
1 3/4-2 1/2	2 3/4-3 7/8	103	23	SHNG-7095	6.3	1.3	7.1	0.3	3.2	7.9	17.0	84.9	SHNGC-70	SHNGH-7095	SHNGB-70
1 3/4-2 3/4	2 3/4-4 1/4	103	23	SHNG-70105	6.9	1.4	7.1	0.4	3.2	8.2	17.4	87.1	SHNGC-70	SHNGH-70105	SHNGB-70
2 3/4-3	4 1/4-4 5/8	193	50	SHNG-110115	7.4	1.4	9.2	0.1	4.4	9.2	18.5	151.6	SHNGC-110	SHNGH-110115	SHNGB-110
2 3/4-3 1/2	4 1/4-5 3/8	193	50	SHNG-110130	8.6	1.6	9.2	0.1	4.4	9.5	19.4	153.3	SHNGC-110	SHNGH-110130	SHNGB-110

- Capacity: 103-193ton
- Hexagon Nut Range: 2 3/4"-5 3/8"
- Bolt Range: 1 3/4"-3 1/2"
- Maximum Operating Pressure: 10,000psi

### Ordering Instructions

The SHNG series includes cylinder and working head. The cylinder is compatible with different size of the working head for the adaptability of different job requirement.

To order additional work head, cylinder or spare tool head, or to order in sets, see the following table.

### Hand Pump

Optional HP series manual pump. For details, please refer to the section "hydraulic pump".



### Portable Electric Tool Pump

EPC4 portable electric tool pump is optional. For details, please refer to the section "hydraulic pump".



### Portable Air Tool Pump

APC4 portable air tool pump is optional. For details, please refer to the section "hydraulic pump".

