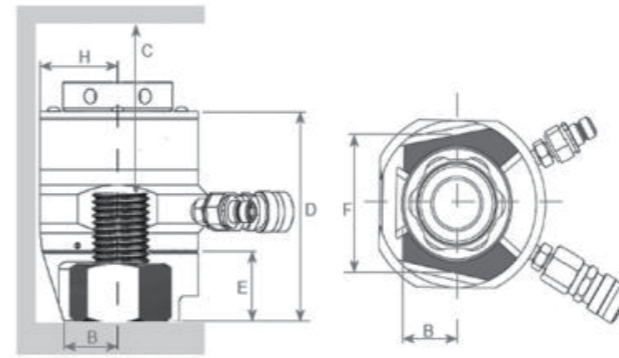


BTS SERIES Hydraulic Bolt Tensioners



- Bolt Range: 3/4" - 4" M20-M100**
- Load Capacity: 18-312tons**
- Stroke: 0.6inch**
- Max. Operating Pressure: 21,750psi**



Ordering Example

Please select the stretching head matching with the stretching cylinder.

Example, to order a complete tensioner for a 3/4" -10UNC threaded bolt order :

- Load cell: BTS1
- Adaptor kit: BTS1-0750 U10

If you also want a stretch cylinder to fit a variety of bolt specifications, please select a variety of stretch heads according to the parameter list.

Features

- Light weight and compact structure suits operations in small space.
- Special steel body and advanced surface treatment with perfect rust and corrosion resistance.
- Strong versatility and high adaptability.
- Synchronous application available.
- Interchangeable, spring reset.
- Default maximum working pressure of 21750psi fits high pressure manual pump, high pressure pneumatic pump and high pressure electric pump.

Puller

Spring Return

Seal Kit

2 Hydraulic Connections

Bridge

Nut Rotating Socket

(NRS)

Load Cell Model Number	Adaptor Kit Model Number	Thread Size		Thread Size	Adaptor Kit Model Number	Bolt Load		Ram Area	Stroke	Weight	A	B	C	D	E	F	G	H
						Kn	Ton											
BTS1	BTS1-0750 U10	3/4"-10UNC		M20x2.5	BTS1-M2025	180.25	18.09	1.86	0.60	6	2.83	0.85	3.54	3.92	2.70	2.43	1.93	1.42
	BTS1-0875 U09	7/8"-9UNC		M22x2.5	BTS1-M2225					6		0.97	3.51	3.97		2.83	2.26	
BTS2	BTS2-0750 U10	3/4"-10UNC		M20x2.5	BTS2-M2025	236.06	23.69	2.44	0.60	7	3.17	0.83	3.54	3.92	2.70	2.35	1.93	1.53
	BTS2-0875 U09	7/8"-9UNC		M22x2.5	BTS2-M2225					7		0.98	2.33	3.97		2.76	2.22	
	BTS2-1000 U08	1"-8UN		M24x3	BTS2-M2430					8		1.10	3.54	4.09		3.17	2.53	
BTS3	BTS3-0875 U09	7/8"-9UNC		M22x2.5	BTS3-M2225	380.38	38.18	3.93	0.60	11	3.90	0.97	3.66	4.11	2.81	2.99	2.34	1.89
	BTS3-1000 U08	1"-8UN		M24x3	BTS3-M2430					12		1.08	3.66	4.21		3.17	2.53	
	BTS3-1125 U08	1.1/8"-8UN		M27x3	BTS3-M2730					12		1.10	3.78	4.47		3.57	2.83	
				M30x3.5	BTS3-M3035					12		1.38	3.70	4.49		3.35	2.72	
BTS4	BTS3-1250 U08	1.1/4"-8UN		M33x3.5	BTS3-M3335	564.95	56.70	5.84	0.60	12	4.59	1.36	3.74	4.51	3.82	3.54	2.95	2.22
	BTS4-1125 U08	1.1/8"-8UN		M27x3	BTS4-M2730					19		1.30	4.67	5.33		3.57	2.95	
				M30x3.5	BTS4-M3035					19		1.38	4.76	5.35		3.35	2.83	
	BTS4-1250 U08	1.1/4"-8UN		M33x3.5	BTS4-M3335					20		1.38	4.80	5.51		3.54	3.03	
BTS5	BTS4-1375 U08	1.3/8"-8UN		M36x4	BTS4-M3640	763.94	76.67	7.89	0.60	20	5.31	1.65	4.76	5.59	4.23	3.75	3.27	2.50
	BTS4-1500 U08	1.1/2"-8UN		M39x4	BTS4-M3940					20		1.54	4.76	5.71		3.68	3.35	
	BTS5-1375 U08	1.3/8"-8UN		M36x4	BTS5-M3640					28		1.77	5.18	6.00		3.75	3.27	
	BTS5-1500 U08	1.1/2"-8UN		M39x4	BTS5-M3940					29		1.77	5.18	6.12		3.96	3.46	
BTS6	BTS5-1625 U08	1.5/8"-8UN		M42x4.5	BTS5-M4245	951.41	95.49	9.83	0.60	29	5.88	1.77	5.35	6.26	4.23	4.39	3.78	2.86
	BTS5-1750 U08	1.3/4"-8UN		M45x4.5	BTS5-M4545					30		1.81	5.35	6.38		4.71	4.06	
	BTS6-1625 U08	1.5/8"-8UN		M42x4.5	BTS6-M4245					35		1.89	5.34	6.25		4.39	3.78	
	BTS6-1750 U08	1.3/4"-8UN		M45x4.5	BTS6-M4545					35		1.89	5.35	6.38		4.71	4.06	
BTS7	BTS6-1875 U08	1.7/8"-8UN		M48x5	BTS6-M4850	1458.89	146.42	15.08	0.60	35	7.07	1.83	5.41	6.56	4.23	4.47	4.06	3.44
	BTS6-2000 U08	2"-8UN		M52x5	BTS6-M5250					35		2.11	5.31	6.63		4.74	4.33	
	BTS7-1875 U08	1.7/8"-8UN		M48x5	BTS7-M4850					54		2.17	5.56	6.70		4.78	4.21	
	BTS7-2000 U08	2"-8UN		M52x5	BTS7-M5250					55		2.17	5.61	6.93		5.06	4.49	
BTS8	BTS7-2250 U08	2.1/4"-8UN		M56x5.5	BTS7-M5655	1989.25	199.64	20.56	0.60	53	8.14	2.32	5.84	7.12	4.31	5.22	4.69	4.07
				M60x5.5	BTS7-M6055					55		2.64	5.57	7.17		5.70	5.12	
	BTS7-2500 U08	2.1/2"-8UN		M64x6	BTS7-M6460					55		2.64	5.57	7.17		5.70	5.12	
	BTS8-2250 U08	2.1/4"-8UN		M56x5.5	BTS8-M5655					74		2.56	5.95	7.27		5.30	4.69	
				M60x5.5	BTS8-M6055					76		2.36	5.73	7.20		6.69	5.39	
	BTS8-2500 U08	2.1/2"-8UN		M64x6	BTS8-M6460					76		2.60	6.00	7.64		5.70	5.12	
BTS9				M68x5.5	BTS8-M6855	2753.32	276.33	28.45	0.60	72	9.41	2.76	5.94	7.74	4.35	6.30	5.55	4.70
	BTS8-2750 U08	2.3/4"-8UN		M72x6	BTS8-M7260					77		2.99	5.82	7.77		6.23	5.75	
	BTS8-3000 U08	3"-8UN		M76x6	BTS8-M7660					77		3.17	5.78	7.82		6.69	5.94	
	BTS9-2750 U08	2.3/4"-8UN		M72x6	BTS9-M7260					107		3.15	6.09	8.04		6.70	5.87	
BTS10	BTS9-3000 U08	3"-8UN		M76x6	BTS9-M7660	3109.94	312.12	32.14	0.60	108	10.14	3.19	6.33	8.34	4.43	6.69	5.94	5.07
				M80x6	BTS9-M8060					105		3.07	6.24	8.41		7.48	6.46	
	BTS9-3250 U08	3.1/4"-8UN		M85x6	BTS9-M8560					112		3.46	6.26	8.62		7.14	6.30	
	BTS9-3500 U08	3.1/2"-8UN		M90x6	BTS9-M9060					113		3.70	6.24	8.80		7.38	6.77	
	BTS10-3250 U08	3.1/4"-8UN		M85x6	BTS10-M8560					131		3.43	6.50	8.78		7.14	6.42	
BTS10-3500 U08	3.1/2"-8UN		M90x6	BTS10-M9060	132	3.76	6.56	9.04	7.38	6.73								
BTS10-3750 U08	3.3/4"-8UN		M95x6	BTS10-M9560	129	3.94	6.21	8.89	8.25	7.28								
BTS10-4000 U08	4"-8UN		M100x6	BTS10-M10060	125	4.13	5.98	8.80	8.49	7.64								