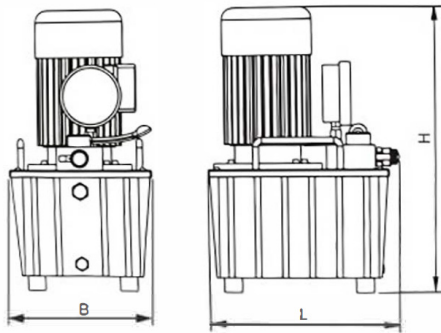




## EEP SERIES

- Plunger design improve effective pressure on low voltage.
- Overload pressure protection.
- Lightweight and compact design.



Model	Type	Valve	Power		Usable Oil		Pressure (Bar)		Pressure (Psi)	
			kW	HP	L	Gallon	1 <sup>st</sup> Stage	2 <sup>nd</sup> Stage	1 <sup>st</sup> Stage	2 <sup>nd</sup> Stage
EEP-VM	S.A.	Manual	0.75	1.0	7.0	1.5	70	700	1000	10000
EEP-VE	S.A.	Elect. /w Handle remote	0.75	1.0	7.0	1.5	70	700	1000	10000
EEP-VEF	S.A.	Elect. /w Foot remote	0.75	1.0	7.0	1.5	70	700	1000	10000

Model	Oil Capacity (cm <sup>3</sup> )		Oil Capacity (in <sup>3</sup> )		Dimensions (mm)			Dimensions (inch)			Weight	
	1 <sup>st</sup> Stage	2 <sup>nd</sup> Stage	1 <sup>st</sup> Stage	2 <sup>nd</sup> Stage	L	B	H	L	B	H	kg	lbs
EEP-VM	-	900	-	55	350	271	510	13.78	10.67	20.08	26	57.3
EEP-VE	5000	900	305	55	350	271	510	13.78	10.67	20.08	28	61.7
EEP-VEF	5000	900	305	55	350	271	510	13.78	10.67	20.08	28	61.7